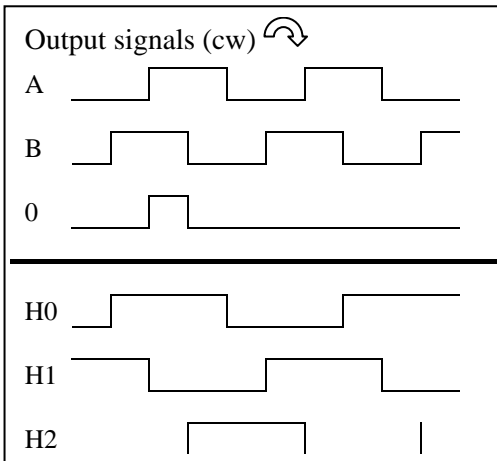


# Series PRH

## Electronics Data



Power supply: from 5 to 24V depends on the electronics circuit

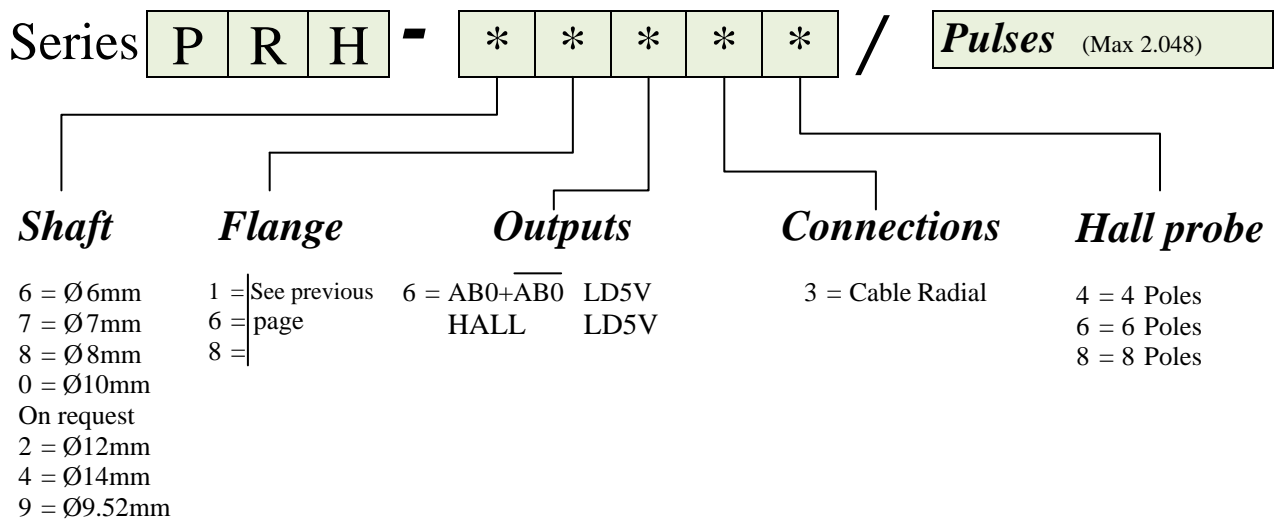
Current consumption: 40/80mA depends on the electronics circuit

Permissible load: 20mA

Frequency: 160KHz

Protections: Against short circuit, reversal polarity

## Ordering code



## Connections

	Incremental Encoder								Hall								
	-	+	A	B	A	B	0	0	H0	H1	H2	H0	H1	H2			
	1	2	3	4	5	6	7	8	9	10	11	12	13	14			
<b>Cavo</b>	B L A C K	B L U E	B R O W N	B E I G E	G R E E N	Y E L L O W	P I N K	V I O L E T	O R A N G E	T R A N S P A R	Y E L L O W	G R E E N	R E D	W H I T E	B L U E	W H I T E	Y E L L O W