

Series BH

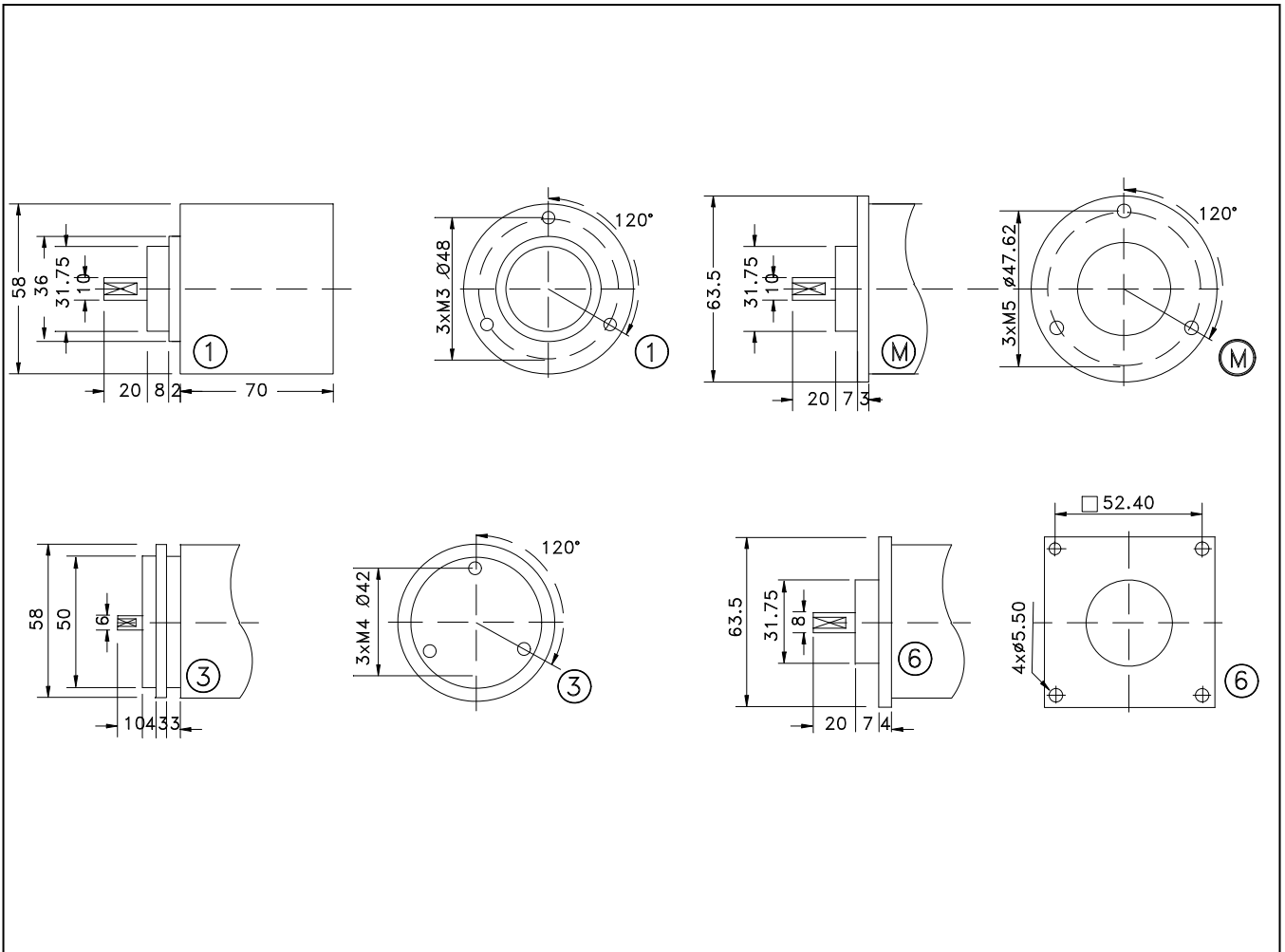
Incremental shaft encoder, high settlement

Mechanics Data

| | |
|----------------|---|
| Cover: | Lacquered aluminium |
| Body: | Aluminium |
| Solid shaft: | Stainless steel |
| Bearings: | 2, ballraces |
| Weight: | Approx.300gr. |
| Protection: | IP65 |
| Rpm: | 6000 Max |
| Torque: | 5Ncm |
| Inertia: | 100gcm ² |
| Shaft loading: | Axial 100N - Radial 100N (the value decrease when the number of pulses increase) |

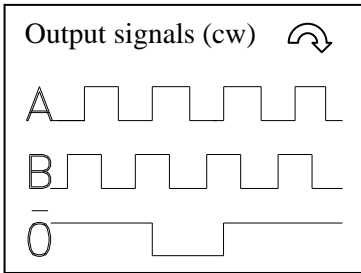


Dimensions in mm



Series BH

Electronics Data



Power supply: from 5 to 24V depends on the electronics circuit
 Current consumption: 40/80mA depends on the electronics circuit
 Permissible load: 40mA
 Frequency: to 600KHz depends on the electronics circuit (100 KHz sinusoidal version)
 Protections: Against short circuit, reversal polarity
 Operating Temp.: -20/+60°C (-30/+100°C) on request
 0/+60° sinusoidal version

Ordering code

Series **BH** - * * - * * - * * - * / **Pulses 1°** **Pulses 2°**
See page pulses

Shaft **Flange** **Outputs** **Connections** **Options**

3 = Ø6mm 1 = see 2 = AB_ PP11/28V X = single connector S = Separate power
 6 = Ø8mm 3 = page 3 = AB0_ PP11/28V 2 = 9414 Rad. C = Common power
 4 = Ø9.52mm drawing N = AB+AB_ PP11/28V 0 = 9414 Axial 1 = High zero pulse for
 1 = Ø10mm 6 = P = AB0+AB0_ PP11/28V 3 = Cavo Rad. both pulses number
 M = 5 = AB+AB_ LD5V 9 = Cavo Axial
 A richiesta 6 = AB0+AB0_ LD5V 4 = 9418 Rad.(¹)
 2 = Ø12mm 8 = AB+AB_ LD5/12V 6 = 9418 Axial (¹)
 9 = AB0+AB0_ LD5/12V 5 = 9416 Rad.
 E = 9416 Axial
 7 = 9419 Rad. (¹)
 8 = 9419 Axial (¹)
 S = 9426 Rad. (¹)
 T = 9426 Axial (¹)

1° = First bicoder section
2° = Second bicoder section
⁽¹⁾ can't use two adjacent connector

Connections

| | 0 Volt | + Volt | A | B | A̅ | B̅ | 0 | 0̅ |
|---|--------|--------|-------|--------|-------|--------|-------|--------|
| Cable 5 Pole | White | Brown | Green | Yellow | | | Gray | |
| Cable 8 Pole | Black | Blue | Brown | Beige | Green | Yellow | Pink | Violet |
| Connector 9414 | Pin1 | Pin2 | Pin3 | Pin4 | | | | Pin5 |
| Connector 9416 | Pin1 | Pin2 | Pin3 | Pin4 | Pin5 | Pin6 | Pin7 | Pin8 |
| Connector 9418 | PinA | PinB | PinC | PinD | PinE | PinF | | PinG |
| Connector 9419 | PinA | PinB | PinC | PinD | PinE | PinF | PinG | PinH |
| Connector 9426 (for single connection) | Pin1 | Pin2 | Pin3 | Pin4 | Pin5 | Pin6 | Pin7 | Pin8 |
| | Pin9 | Pin10 | Pin11 | Pin12 | Pin13 | Pin14 | Pin15 | Pin16 |