

Series
PAS-PAM
Class 2

Absolute semi-hollow shaft encoder (PAS) / multi turn (PAM) with profibusDP class 2 interface



Mechanics data

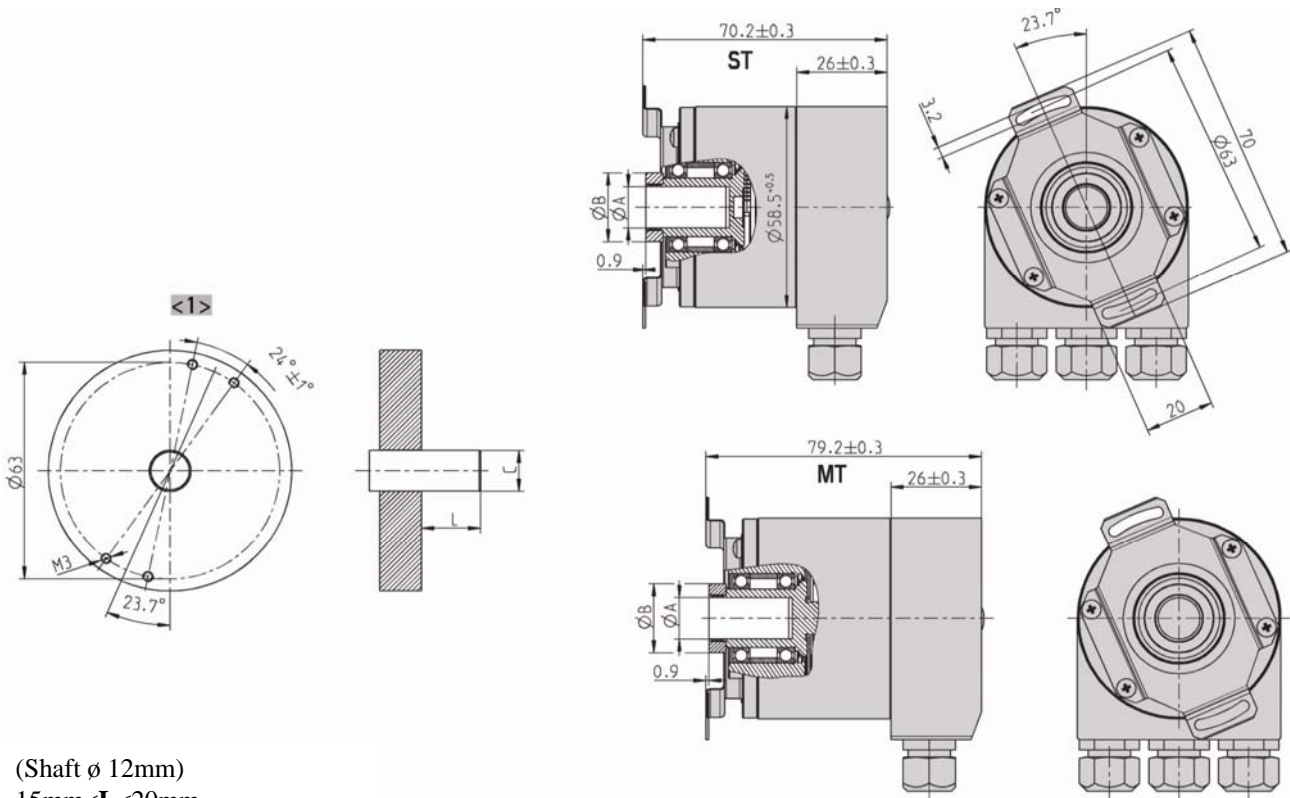
Cover:	Aluminium
Body:	Aluminium
Shaft:	Stainless steel
Bearings:	2 ballraces
Weight:	400gr.
IP protection:	IP67
Rev. Per minute:	6000 Max
Torque:	< 0.5Ncm
Moment of inertia:	14gcm ²
Carico sull'albero:	Ass. 20N - Rad 40N



Dimensions in mm

ST = Singleturn

MT = Multiturn



(Shaft $\varnothing 12\text{mm}$)
 $15\text{mm} < L < 20\text{mm}$

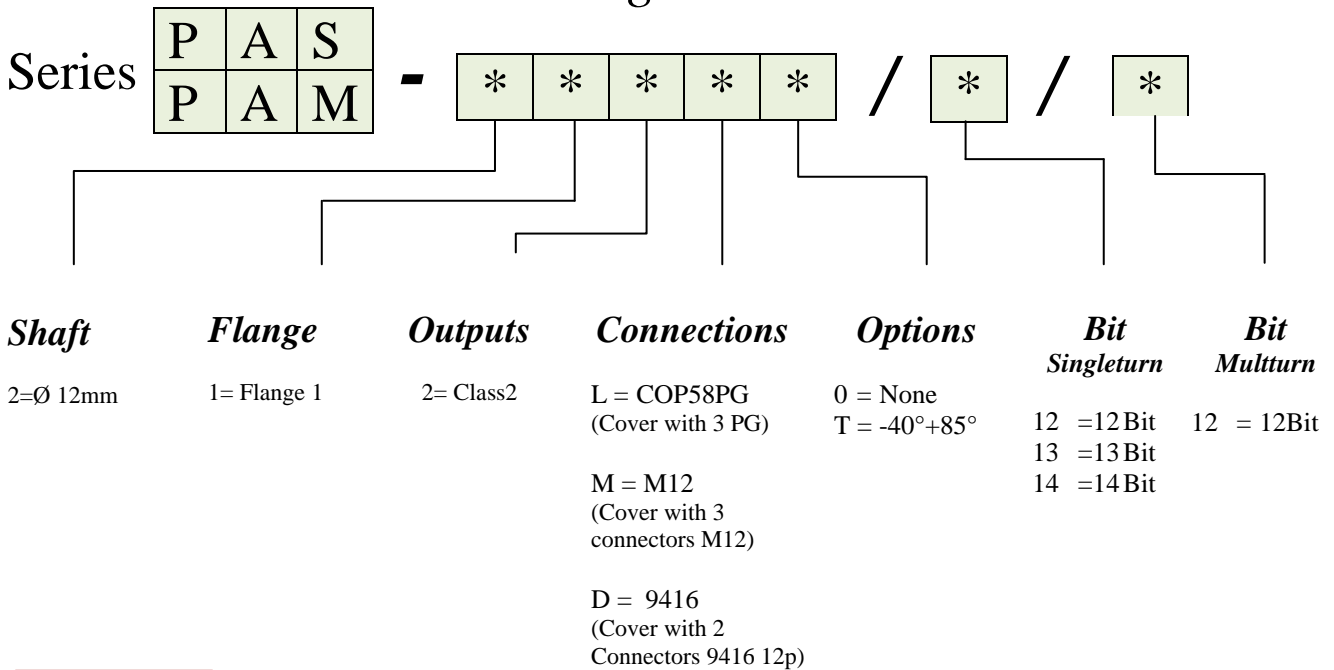
Series PAS-PAM
Class 2



Electronics Data

Power supply:	10-30V +/- 5%
Current cons.:	max 230mA
Interface:	RS485
Protocol:	Profibus DP class2 profile C2 (programmable)
Resolution:	Singleturn max 14 Bit Multiturn 26 Bit (14 Bit singleturn -12 Bit multiturn)
Linearity:	+/- 1/2 LSB (+/- 1 LSB for resolution 13,14,25,26 Bit)
Type of Code:	Binary
Device address:	Set via DIP Switches
Programmable function:	Direction Resolution per revolution Total resolution Preset Speed Acceleration
Activate bus terminating resistor:	Set via DIP Switches
Operating temperature:	-20/+85°C (-40°+85° on request)

Ordering code



Singleturn
PAS

Multiturn
PAM