

**Series
CNS - CSM**

**Absolute shaft encoder singleturn (CNS) /
multiturn (CSM) with interface**

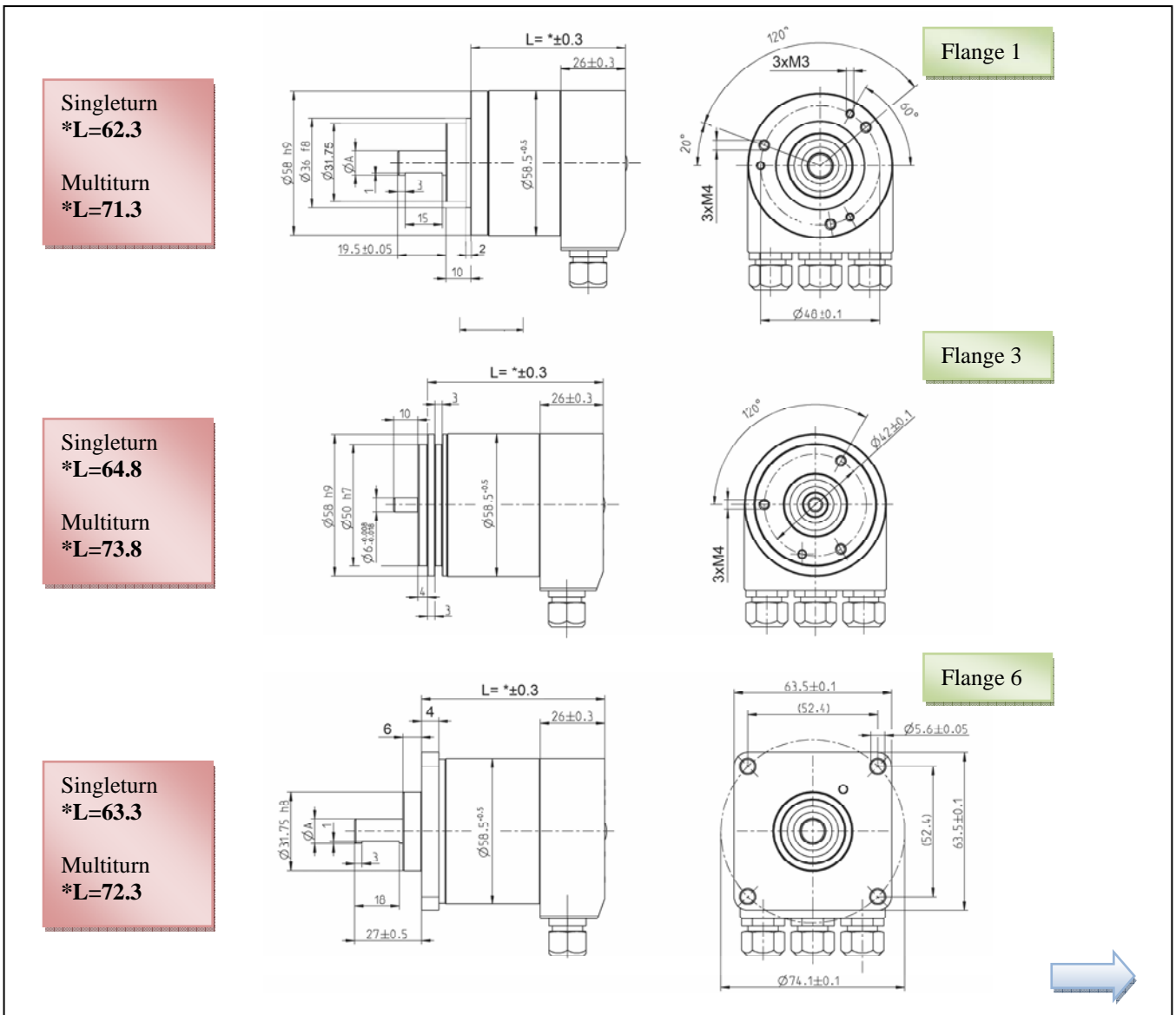


Mechanics data

- Cover:** Aluminium
- Body:** Aluminium
- Shaft:** Stainless steel
- Bearings:** 2 ballraces
- Weight:** 400gr.
- IP protection:** IP67
- RPM:** 6000 Max
- Torque:** < 0.5Nm
- Moment of inertia:** 14gcm² (Flange 1, 6 e H)
20gcm² (Flange 3)
- Shaft Load** : Ass. 20N - Rad 40N (shaft Ø 6mm)
Ass. 40N -Rad 60N (shaft Ø 10mm)

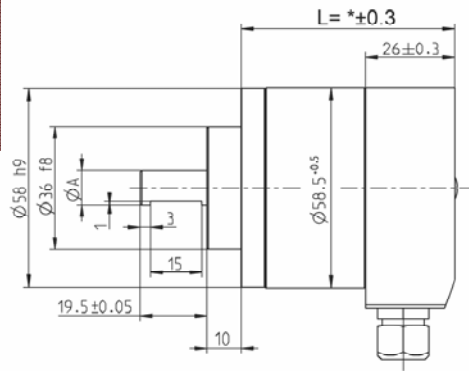


Dimension mm

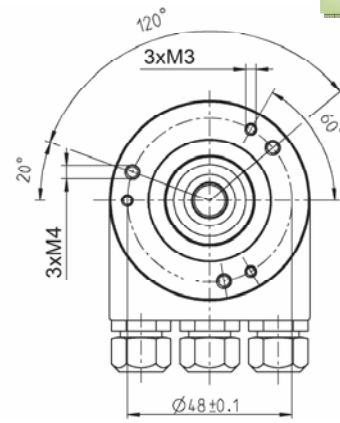


Singleturn
*L=62.3

Multiturn
*L=71.3



Flange H



Series CNS - CSM

Electronics Data

| | |
|--------------------------------|---|
| Power supply: | 10-30V +/- 5% |
| Current cons.: | max 250mA |
| Interface: | CAN High Speed (according ISO/DIS 11898) |
| Protocol: | CANopen (according to DS 301) with profile DSP 406 Programmable encoder according class C2 |
| Resolution: | Singleturn max 14 Bit Multiturn 26 Bit (14 Bit singleturn -12 Bit multiturn) |
| Linearity: | +/- 1/2 LSB (+/- 1 LSB for resolution 13,14,25,26 Bit) |
| Output code: | Binary |
| DIP Switch setting: | Node number Baud Rate Bus terminator resistor |
| Programmable function : | Direction Resolution Preset Offset Speed Acceleration |
| Operating temp.: | -20/+85°C (-40°+85° on request) |

