

# Series RXE

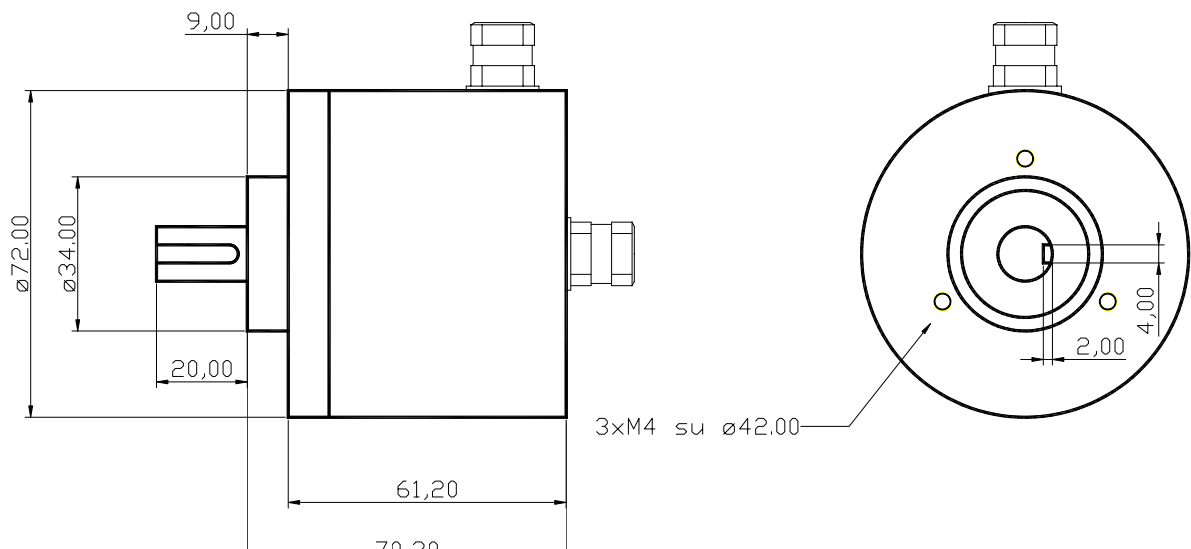
Heavy duty incremental encoder , certified  
ATEX to EEx d II C T5 – II 2 G D .  
Diameter 72 mm

## *Mechanics Data*

Cover: Aluminium or Stainless steel  
Body: Aluminium or Stainless steel  
Solid shaft: Stainless steel  
Bearings: 2 ballraces  
Weight: 1Kg. / 2Kg  
Protection: IP66  
RPM: 6000 Max  
Inertia: 100 gcm<sup>2</sup>  
Shaft load: 10N

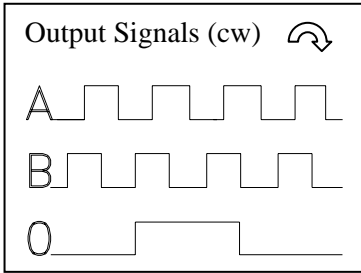


Dimensions mm



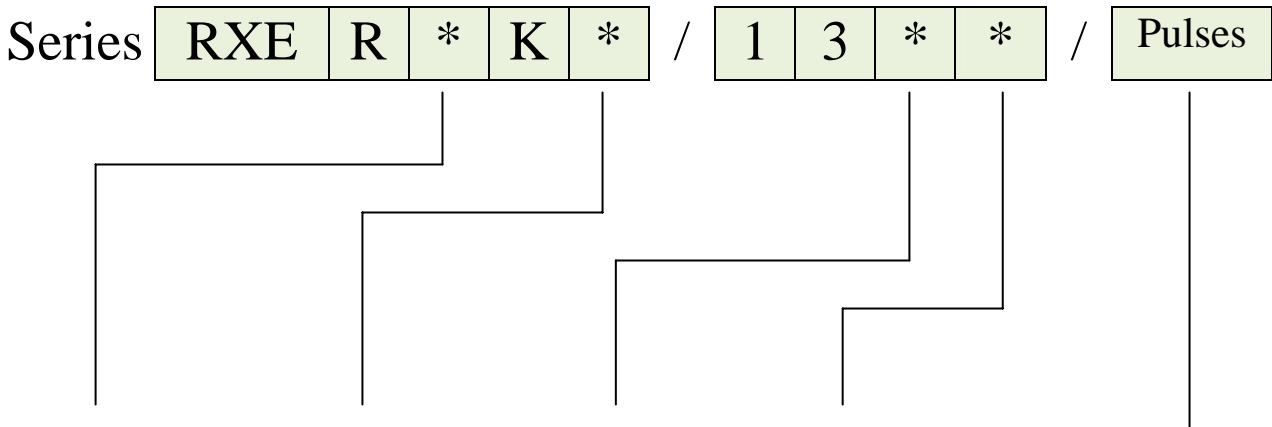
## Series RXE

## Electronics Data



Power Supply: 5 - 24V  
 Output: Push Pull 5-24Volt  
 Current Consumption: 80mA  
 Permissible load: 50mA  
 Frequency: 150KHz  
 Protection: Short circuit  
 Operating Temperature: -20/+60°C

### Ordering code



**Version**

**Shaft**

**Connection**

**Output**

**Pulses**

E = Stainless steel  
 F = Alluminium

5 =  $\phi$ 12mm  
 7 =  $\phi$  9,52 mm

1 = Cable 2 meters  
 2 = Cable 5 meters  
 3 = Cable 10 meters  
 5 = Cable 20 meters

A = Axial  
 R = Radial

(max 5000)  
 Always use 4 digit

Ex:  
 1000 = 1000 pulses  
 0500 = 500 pulses  
 0020 = 20 pulses