

# Series MXE

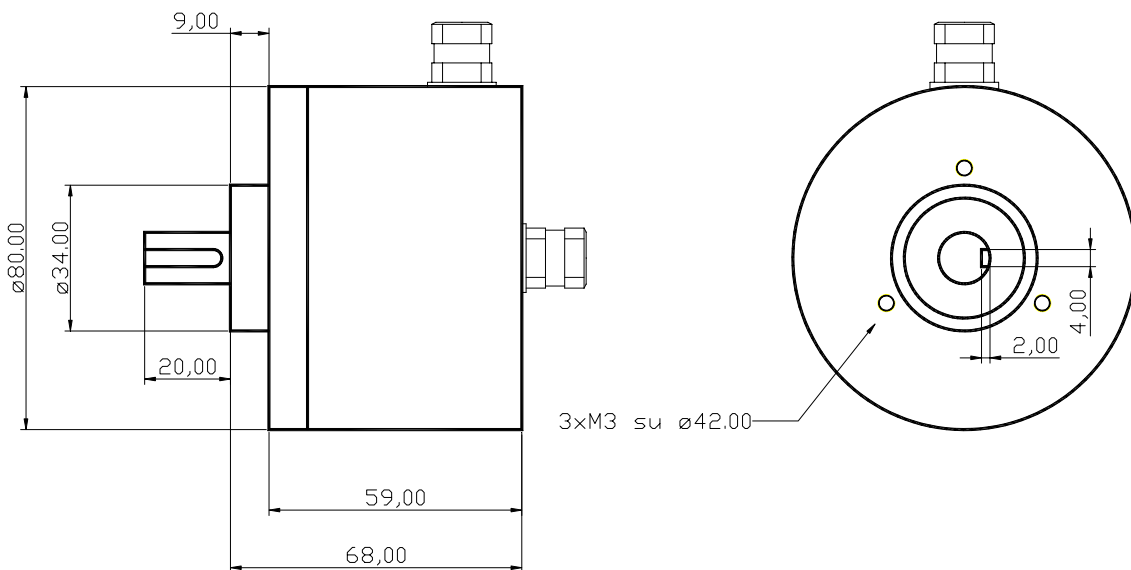
Heavy duty incremental encoder , certified  
ATEX to EEx d II C T5 – II 2 G D.  
Diameter 80mm

## *Mechanics Data*

Cover: Aluminum or Stainless steel  
Body: Aluminum or Stainless steel  
Solid shaft: Stainless steel  
Bearings: 2, ballraces  
Weight: 1,5Kg. / 2,5Kg  
Protection: IP66  
RPM: 6000 Max  
Inertia: 100 gcm<sup>2</sup>  
Shaft load: 10N

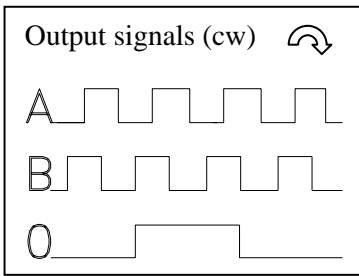


Dimensions mm



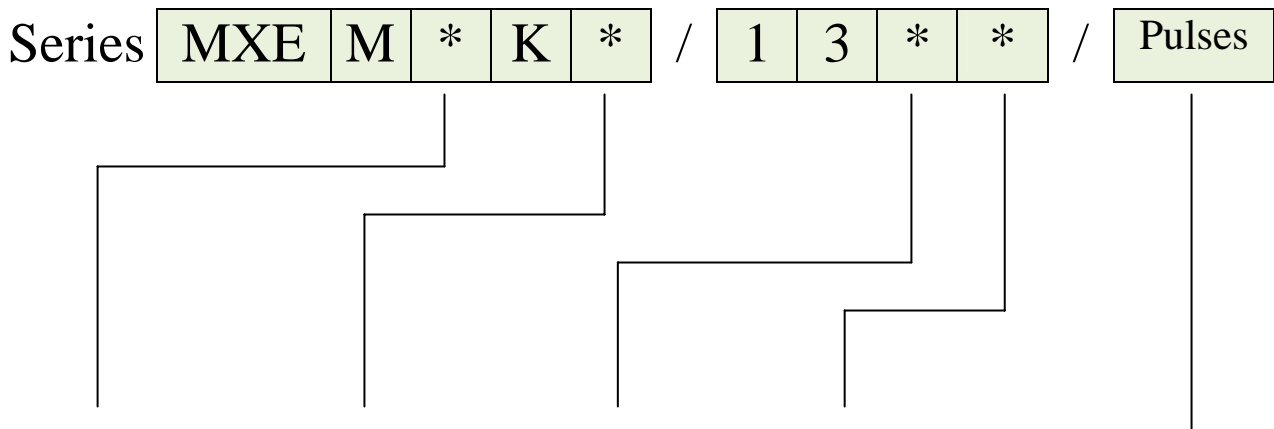
## Series MXE

## Electronics data



Power supply:	5 - 24V
Output:	Push Pull 5-24Volt
Current consumption:	80mA
Permissible load:	50mA
Frequency:	150KHz
Protection:	Short circuit
Operating temperature:	-20/+60°C

## Ordering code



### Version

E = Stainless steel  
F = Alluminium

### Shaft

5 =  $\phi$ 12mm  
7 =  $\phi$  9,52 mm

### Connections

1 = Cable 2 meters  
2 = Cable 5 meters  
3 = Cable 10 meters  
5 = Cable 20 meters

### Uscita

A = Axial  
R = Radial

### Pulses

(max 5000)  
Always use 4 digit

Ex:  
1000 = 1000 pulses  
0500 = 500 pulses  
0020 = 20 pulses