

# Series DXE

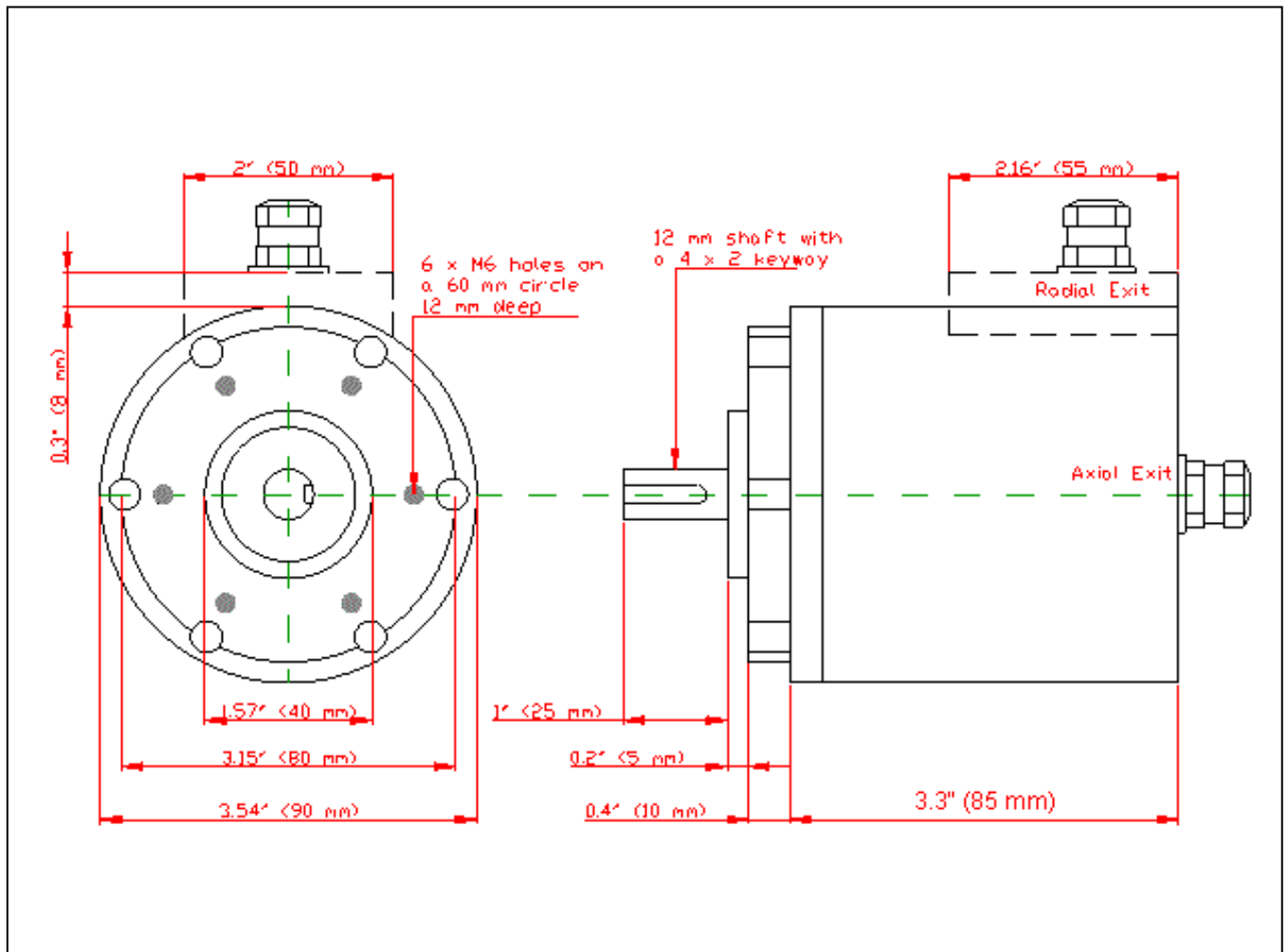
Heavy duty incremental encoder , certified ATEX to EEx d IIC . Diameter 90mm

## Mechanics data

Cover:	Stainless steel
Body:	Stainless steel
Solid Shaft:	Stainless steel
Bearings:	2, ballraces
Weight:	6Kg.
Protection:	IP66
RPM:	6000 Max
Inertia:	275gcm <sup>2</sup>
Shaft Loading:	10N

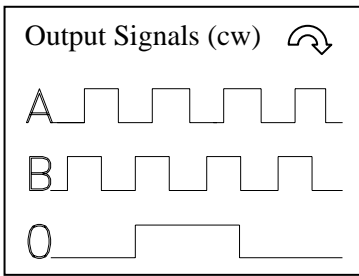


Dimensions mm



## Series DXE

## Electronics Data



Power Supply: 5 - 24V  
 Output: Push Pull 5-24Volt  
 Current consumption: 40mA  
 Permissible load: 50mA  
 Frequency: 100KHz  
 Protection: Against short circuit  
 Operating Temperature: -20/+60°C

### Ordering code

Series 

DXE	4	3	*	9
-----	---	---	---	---

 / 

0	*	*	C
---	---	---	---

 / 

Pulses
--------

#### Connections

A = Cable 10 Meters  
 B = Cable 20 Meters  
 E = Cable 50 Meters

#### Output

A = Axial  
 R = Radial

#### Protection

X = IP67

#### Pulses

(max 5000)  
 Always use 4 digit

Ex:  
 1000 = 1000 pulses  
 0500 = 500 pulses  
 0020 = 20 pulses