

# Series Z

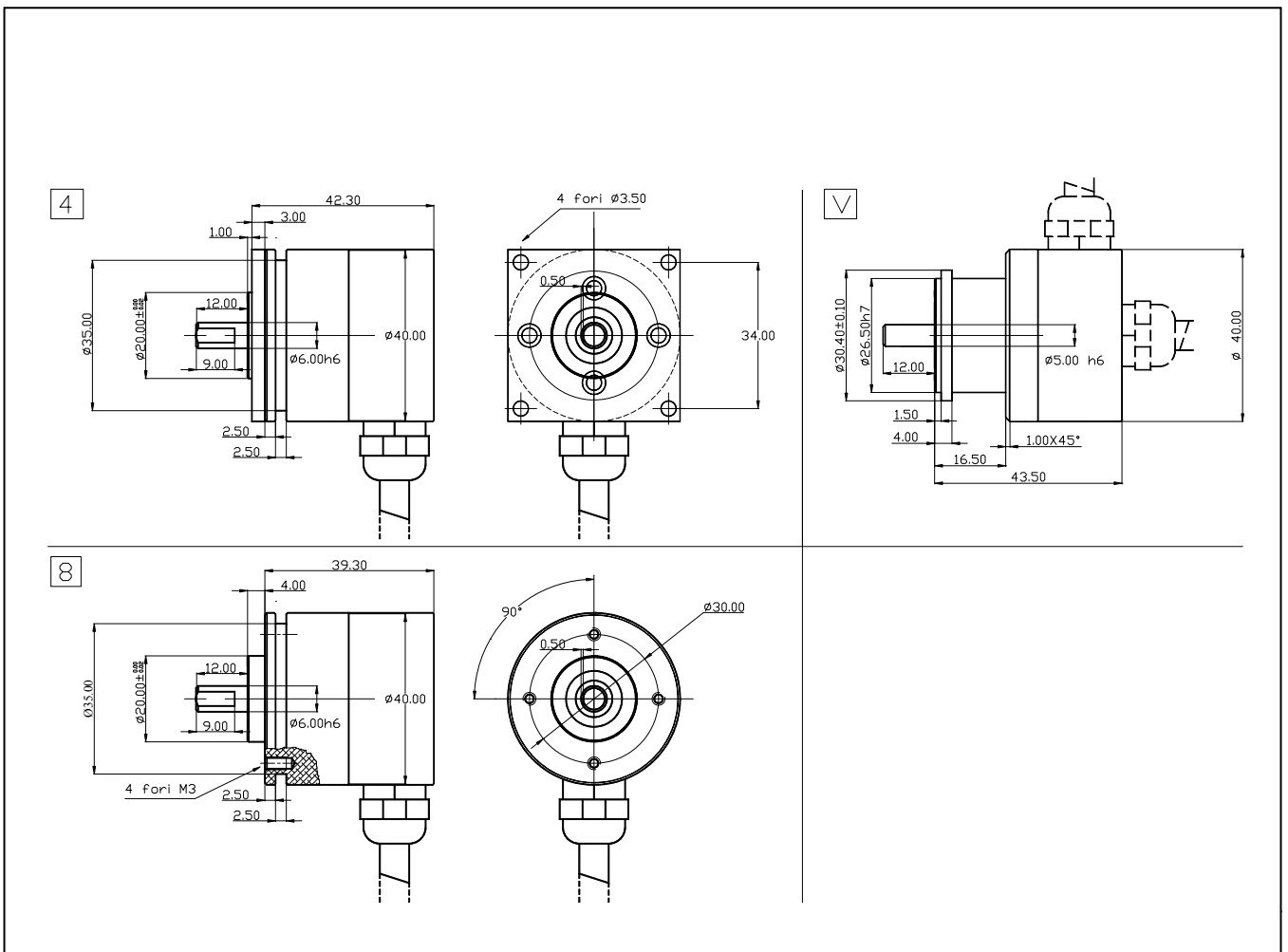
## Absolute encoder singleturn ( $\varnothing 40\text{mm}$ )



### Mechanics Data

Body and cover:	Abs nichel-plated
Shaft:	Stainless steel
Bearings:	2, ballraces
Weight:	Approx. 130gr.
Protection:	IP65
Rpm:	6000 Max
Torque:	3Ncm
Inertia:	5gcm <sup>2</sup>
Shaft loading:	Axial 30N - Radial 30N (max. value)

Dimensions in mm



# Series Z

## Electronics Data

Power supply: from 5 to 24V depends on the electronics circuit  
 Current consumption: 40/80mA depends on the electronics circuit  
 Permissible load: 40mA  
 Frequency: 50KHz (standard in LSB)  
 Protections: Against short circuit, reversal polarity  
 Operating Temp.: -20/+60°C

### Ordering code

