

# Series PT

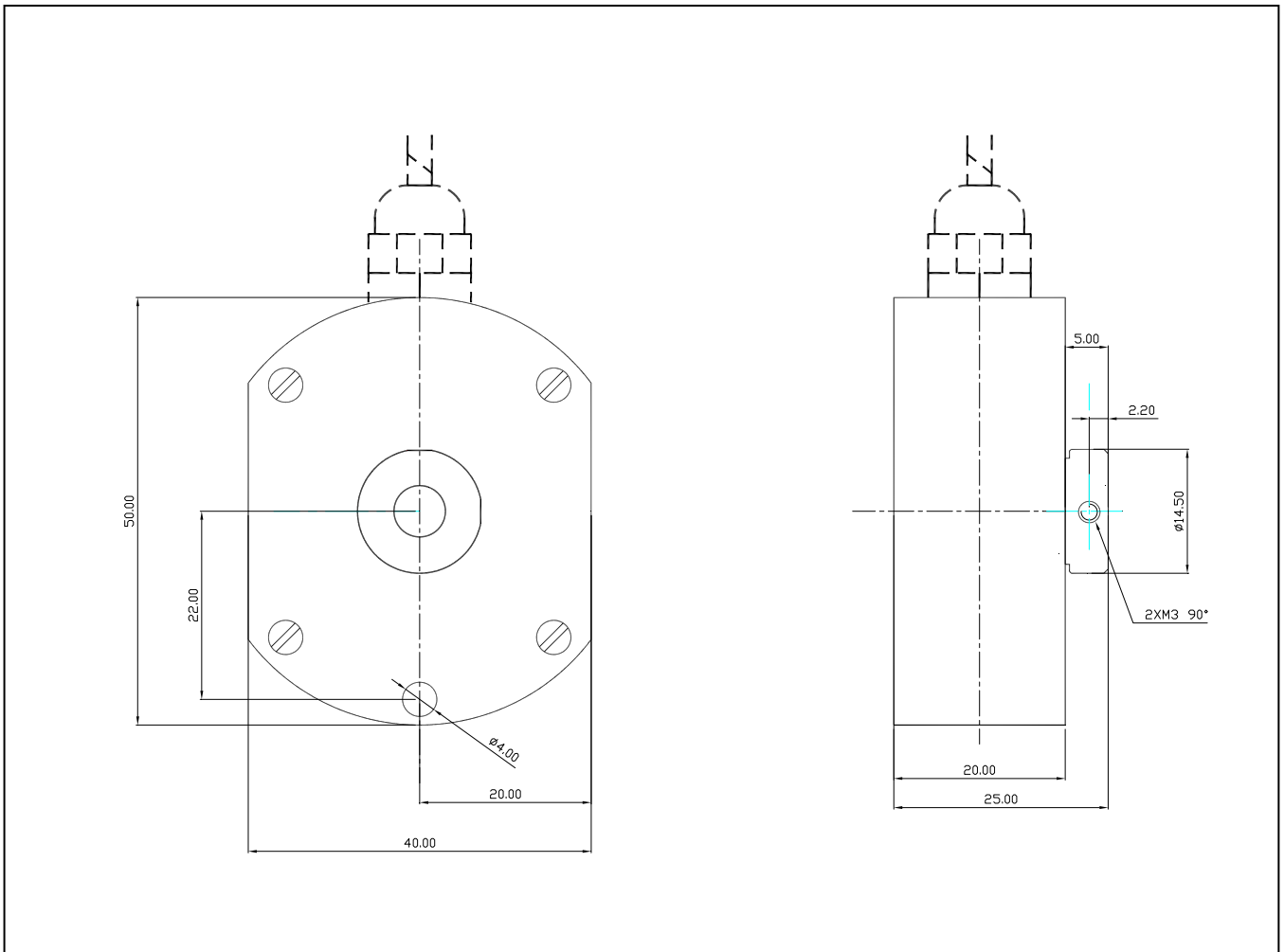
## Incremental hollow shaft encoder ,reduced dimensions



### *Mechanics Data*


Cover:	Aluminium
Body:	Aluminium
Solid shaft:	Stainless steel
Bearings:	2, ballraces
Weight:	Approx.250gr.
Protection:	IP54
Rpm:	6000 Max
Torque:	3Ncm
Inertia:	40gcm <sup>2</sup>
Shaft loading:	Axial 30N - Radial 30N

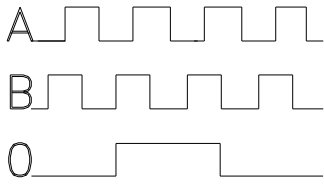
Dimensions in mm.



## Series PT

## Electronics Data

Output signals (cw) 



Power supply: from 5 to 24V depends on the electronics circuit  
 Current consumption: 40/80mA depends on the electronics circuit  
 Permissible load: 20/40mA depends on the electronics circuit  
 Frequency: to 300KHz depends on the electronics circuit  
 Protections: Against short circuit, reversal polarity  
 Operating Temp.: -10/+60°C (extension on request)

### Ordering code

Series **P T** - **\* 1 \* \* \*** / **Pulses** (Max 500)

#### Shaft

6 = Ø6mm  
8 = Ø8mm

#### Outputs

2 = AB PP11/28V  
 3 = AB0 PP11/28V  
 N = AB+AB PP11/28V  
 P = AB0+AB0 PP11/28V  
 8 = AB+AB LD5/12V  
 9 = AB0+AB0 LD5/12V

#### Connections

3 = Radial cable.

#### Options

0 = None  
 Z = Synchronised zero pulse to 180° only for Line Driver  
 W = Synchronised zero pulse to 90° only for Line Driver

### Connections

	-	+	A	B	$\overline{A}$	$\overline{B}$	0	$\overline{0}$
<b>Cable 5 Poles</b>	White	Brown	Green	Yellow			Gray	
<b>Cable 8 Poles</b>	Black	Blue	Brown	Beige	Green	Yellow	Pink	Violet