

SWA 90 S

- Absolute Encoder with plug shaft \varnothing 20mm
- direct assembly onto existing shafts
- short length



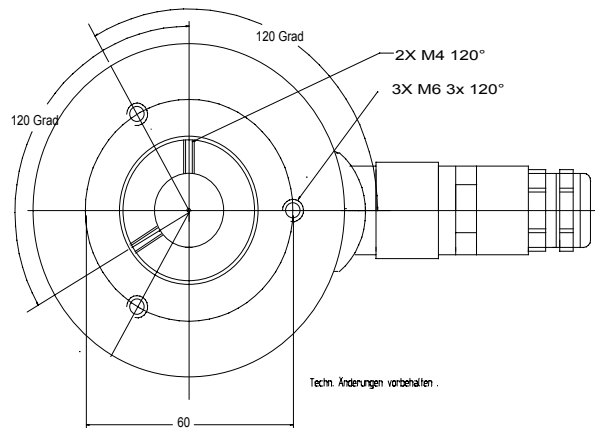
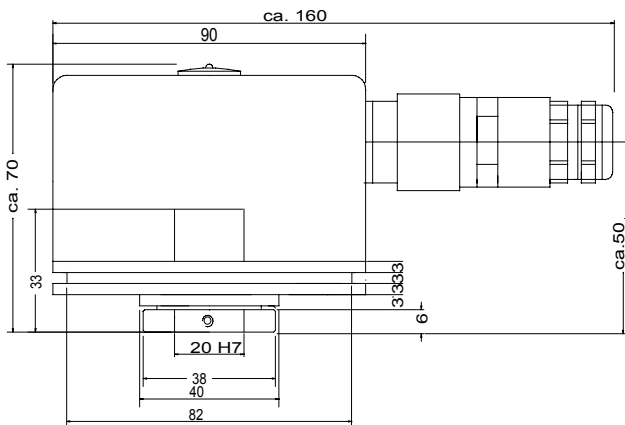
Electrical Specification:

Max. signal element frequency: 10 KHz
 Permissible temp. range: -20° + 60 ° C
 Power supply: 12 V 24 V DC +20 %
 Max. current consumption: 160 mA (without load)
 Max. fan-out: 40 mA (per channel)
 Residual ripple: max. \pm 5 % DC

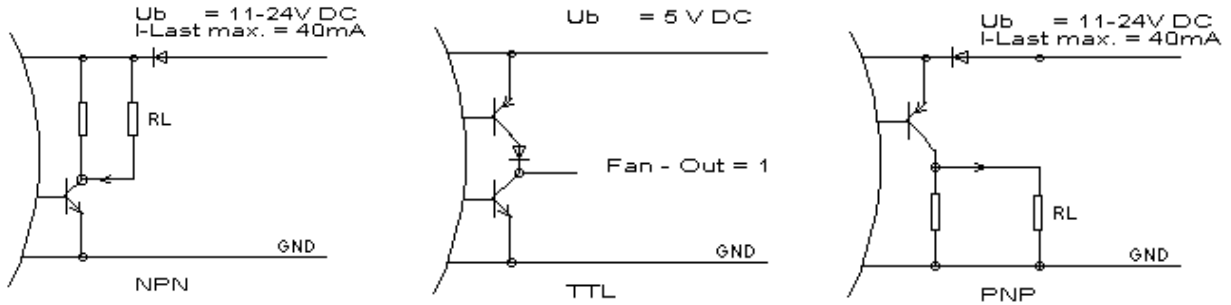
Mechanical Spezifikation:

Flange: Aluminium
 Enclosure: Sheet steel, powder coated
 Shaft: Stainless steel
 Shaft seal: Oil/Saltwater-resisant
 Bearing: Deep groove ball bearing
 Weight: ca. 1,2 kg
 System.of.protection: IP.65
 Max.speed.6000.rpm
 Torque: ca. 5 Ncm
 Max. shaft load: axial 30N
 radial 50 N

Mechanical Dimensions:



Output Circuits



Output.Code

Resolution

Inputs

Optional Extras

| | |
|----------------------------------|--|
| Binary, BCD | 2, 4, 8, 16, 32, 64, 128, 256, 512, 1024, 2048 |
| Gray (beginning at 0) | 2, 4, 8, 16, 32, 64, 128, 256, 512, 1024, 2048, 4096 |
| Gray – Excess (beginning at ≠ 0) | 45, 90, 180, 360, 720, 1440, 2880, 3600 |

Count direction reversal (Optocoupler) with +U_B

Latch (Optocoupler) with +U_B

Pin Configuration:

| Connection | * BCD | | 10 ⁰ | | | | 10 ¹ | | | | 10 ² | | | | 10 ³ | | | | Option ↔ |
|------------|-------|-----------------|-----------------|--------|------|------|-----------------|-----|-------|--------|-----------------|------------|---------------|---------------|-----------------|----------------|--------------|--------------|-------------|
| | GND | +U _B | 1 | 2 | 4 | 8 | 1 | 2 | 4 | 8 | 1 | 2 | 4 | 8 | 1 | 2 | 4 | Option ↔ | |
| | Pin | Pin | Pin | Pin | Pin | Pin | Pin | Pin | Pin | Pin | Pin | Pin | Pin | Pin | Pin | Pin | Pin | Pin | |
| 12 | 1 | 2 | 3 | 4 | 5 | 6 | 7 | 8 | 9 | 10 | 11 | 12 | --- | --- | --- | --- | --- | --- | --- |
| 16 | 1 | 2 | 3 | 4 | 5 | 6 | 7 | 8 | 9 | 10 | 11 | 12 | 13 | 14 | 15 | 16 | --- | --- | --- |
| 00 | white | brown | green | yellow | grey | pink | blue | red | black | violet | grey / pink | blue / red | white / green | brown / green | white / yellow | yellow / brown | white / grey | grey / brown | white/ pink |

• Upwards of resolution 2048 BCD only cable output!

Order No:

SWA 90S - **20** **R** -

Plug shaft = 20mm

Count direction
1 = clockwise
2 = counter clockwise
3 = reversible

Position of connection = radial

Typ of connection
Cable = 00
Connector (12pol.) = 12
Connector(16pol.) = 16

max. Resolution 4096

Optional Extras
0 = None
L = Latch

Output Code
B = Binary
C = BCD
E = Gray Excess
G = Gray

Output Circuit
0 = NPN Current Sink
5 = PNP Current Source
6 = SSI 12-30 V DC