

TECHNICAL DATASHEET

Incremental Encoder RI 76TD



- Through hollow shaft \varnothing 15 bis 42 mm
- Outside diameter only 76 mm
- Easy installation by means of clamping ring front or rear
- Operating temperature up to 100 °C
- Applications: motors, printing machines, lifts



NUMBER OF PULSES

50 / 100 / 128 / 250 / 256 / 300 / 314 / 360 / 500 / 600 / 720 / 900 / 1000 / 1024 / 1250 / 1500 / 2048 / 2500 / 3072 / 4096 / 5000 / 9000 / 10000

Other number of pulses on request

TECHNICAL DATA mechanical

Housing diameter	76 mm
Shaft diameter	15 mm / 16 mm / 18 mm / 20 mm / 24 mm / 25 mm / 27 mm / 28 mm / 30 mm / 32 mm / 38 mm / 40 mm (Hub shaft)
Flange (Mounting of housing)	Tether
Mounting of shaft	Front clamping ring, Rear clamping ring
Protection class shaft input (EN 60529)	IP40 or IP64
Protection class housing (EN 60529)	IP50 (IP65 optional)
Minimum length of mountig shaft clamping ring front	32 mm with \varnothing 15 ... 30, 35 mm with \varnothing >30 ... 42
Mimimum length of mounting shaft clamping ring rear	corresponding to total length of encoder
Axial endplay of mounting shaft (hubshaft)	With stator coupling A (flexible): \pm 2 mm With 1x stator coupling (torsionally rigid): \pm 0.5 mm With 2x stator coupling (torsionally rigid): \pm 0.3 mm
Radial runout of mating shaft (hubshaft)	With stator coupling A (flexible): \pm 0.15 mm With 1x stator coupling (torsionally rigid): \pm 0.3 mm With 2x stator coupling (torsionally rigid): \pm 0.2 mm
Max. speed	for \varnothing 15 ... 25 mm at 70 °C and IP64: max. 3600 rpm for \varnothing >25 ... 42 mm bei 70 °C and IP64: max. 1800 rpm for \varnothing 15 ... 42 mm at 70 °C and IP40: max. 6000 rpm for \varnothing 15 ... 42 mm at 100 °C always: max. 1800 rpm
Torque	3 ... 10 Ncm (depending on version)
Moment of inertia	approx. 140 ... 420 gcm ² (depending on version)
Vibration resistance (DIN EN 60068-2-6)	10 g = 100 m/s ² (10 ... 2000 Hz)
Shock resistance (DIN EN 60068-2-27)	100 g = 1000 m/s ² (6 ms)
Operating temperature	-25 °C ... +100 °C
Storage temperature	-25 °C ... +100 °C
Material housing	Aluminum
Weight	approx. 320 ... 580 g (depending on version)
Connection	Cable, radial

TECHNICAL DATASHEET

Incremental Encoder RI 76TD

TECHNICAL DATA electrical

General design as per DIN EN 61010-1, protection class III, contamination level 2, overvoltage class II

Supply voltage ¹	RS422 + Sense (T): DC 5 V ±10 % RS422 + Alarm (R): ± 10% DC 5 V or DC 10 - 30 V
Max. current w/o load	Push-pull (K), Push-pull antivalent (I): DC 10-30 V 60 mA (DC 5 V), 60 mA (DC 10 V), 35 mA (DC 24 V)
Max. pulse frequency	RS422: 300 kHz Push-pull: 200 kHz
Standard output versions	RS422 + Alarm (R): A, B, N, A, B, N, Alarm RS422 + Sense (T): A, B, N, A, B, N, Sense Push-pull (K): A, B, N, Alarm Push-pull complementary (I): A, B, N, A, B, N, Alarm
Pulse width error	± max. 25° electrical
Number of pulses	1 ... 10 000
Alarm output	NPN-O.C., max. 5 mA
Pulse shape	Square wave
Pulse duty factor	1:1
¹ Pole protection with supply voltage DC 10 - 30 V	

SHAFT CONNECTION

Shaft fixing is done through a clamping ring either on the flange or cap side. As a rule, flange side clamping is better for smaller motors as the available shaft stub is correspondingly shorter.

On the other hand, cap side clamping is easier when there is sufficient shaft length available.

MOUNTING NECESSITIES

In order to compensate for axial and radial shaft eccentricity as well as any angle offset, the encoder flange must not be rigidly mounted. Please mount the flange with a flexible stator coupling (e.g. hubshaft with tether) as torque support

There are two flexible mounting plates:

- A flexible hubshaft with tether (A) for higher levels of play and lower requirements for accuracy.
- A rigid hubshaft with tether (N) for reduced play and rigid connection with reduced swing angle. This is suitable in the case of higher accuracy and dynamics requirements.

TECHNICAL DATASHEET

Incremental Encoder RI 76TD

ELECTRICAL CONNECTIONS

Cable TPE

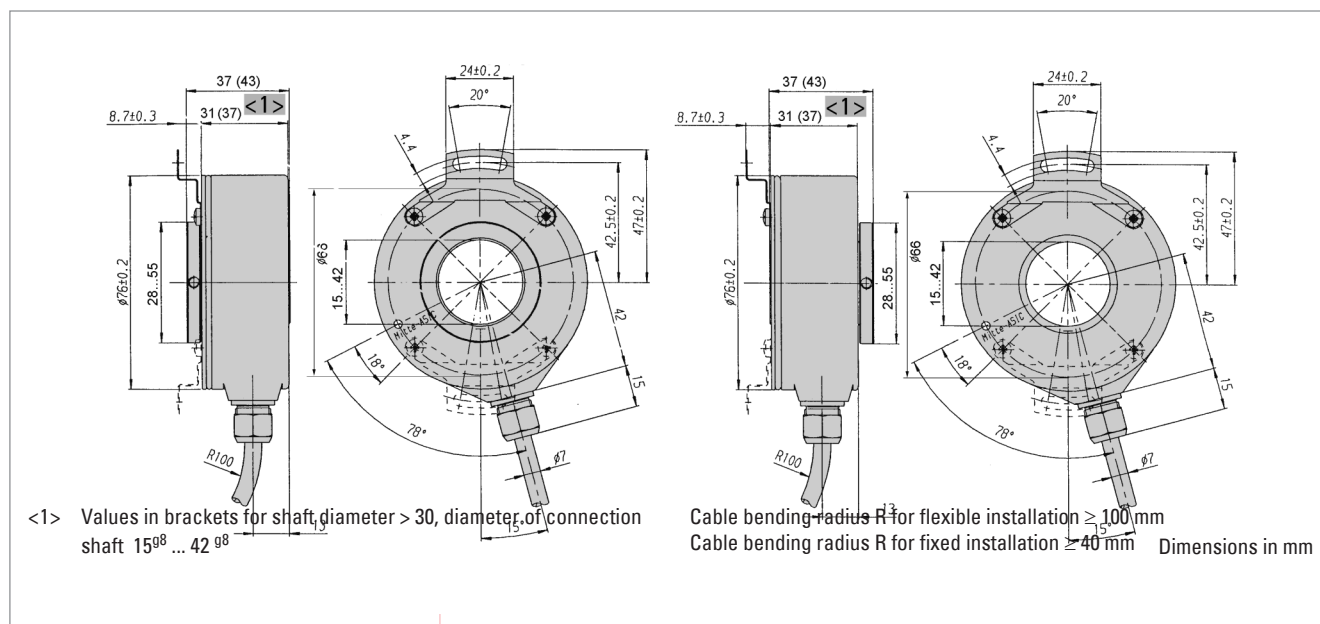
Colour (TPE)	Output circuit			
	RS422 + Sense (T)	RS422 + Alarm (R)	push-pull (K)	push-pull complementary (I)
brown	Channel A	Channel A	Channel A	Channel A
green	Channel A		Channel A	Channel A
grey	Channel B	Channel B	Channel B	Channel B
pink	Channel B	Channel B		Channel B
red	Channel N	Channel N	Channel N	Channel N
black	Channel N	Channel N		Channel N
violet (white) ¹	Sense GND	Alarm —	Alarm	Alarm —
blue	Sense V _{CC}	Sense V _{CC}	—	Sense V _{CC}
brown/green	DC 5 V	DC 5/10 - 30 V	DC 10 - 30 V	DC 10 - 30 V
white/green	GND	GND	GND	GND
Cable screen ²	Cable screen ²	Cable screen ²	Cable screen ²	Cable screen ²

¹ white for version Sense (T)

² connected with encoder housing

DIMENSIONED DRAWINGS

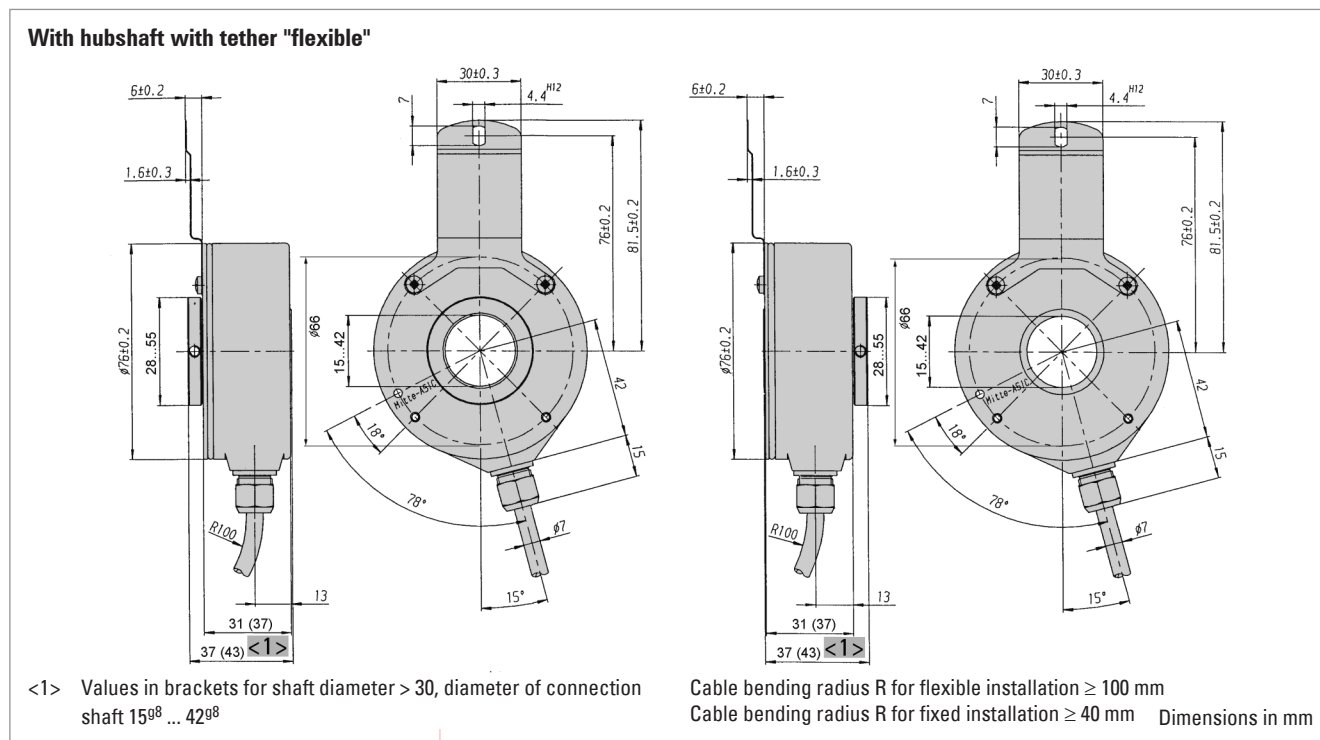
With hubshaft with tether "rigid"



TECHNICAL DATASHEET

Incremental Encoder RI 76TD

DIMENSIONED DRAWINGS (continued)



ORDERING INFORMATION

Type	Number of pulses	Supply voltage ¹	Shaft	Protection	Spring tether	Shaft Ø ^{3, 4, 5, 6}	Output	Connection
<input type="checkbox"/>	<input type="checkbox"/>	<input type="checkbox"/>	<input type="checkbox"/>	<input type="checkbox"/>	<input type="checkbox"/>	<input type="checkbox"/>	<input type="checkbox"/>	<input type="checkbox"/>
RI76TD	1 ... 10000	A DC 5 V E DC 10 - 30 V	D Clamping shaft with clamping ring front H Clamping shaft with clamping ring rear	1 IP40 4 IP64	O Without A Flexible N Rigid	15 ... 42 15 ... 42 mm 50 ... 99 50 ... 99 Zoll 50 = 5/8" 51 = 1 5/8" 52 = 3/4"	R RS422 +Alarm T RS422 +Sense K Push-pull I Push-pull complementary	F TPE cable, radial

¹ DC 5 V: only with output "T", "R" available

² DC 10 - 30 V: only with output "K", "I", "R" available

³ Available with front clamping ring and IP40: 15, 20, 24, 25, 27, 28, 30, 38, 40, 42, 50 (5/8"), 51 (1 5/8")

⁴ Available with front clamping ring and IP64: 15, 16, 18, 20, 24, 25, 27, 28, 30, 32, 38, 40, 42, 50 (5/8"), 51 (1 5/8"), 52 (3/4")

⁵ Available with rear clamping ring and IP40: 25, 28, 30, 32, 38, 40, 42

⁶ Available with rear clamping ring and IP64: 20, 25, 30, 32, 38, 40, 42

TECHNICAL DATASHEET

Incremental Encoder RI 76TD

ORDERING INFORMATION Selection of cable length

Versions with cable outlet (connection A, B, E or F) are available with various lengths of cable. To order your desired cable length, please add the respective code to the end of your ordering code. Further cable lengths on request.

Code	Cable length
without code	1.5 m
-D0	3 m
-F0	5 m
-K0	10 m
-P0	15 m
-U0	20 m
-V0	25 m

TECHNICAL DATASHEET

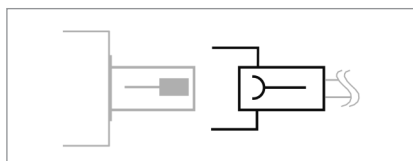
Incremental Encoder RI 76TD

Accessories

MOUNTING

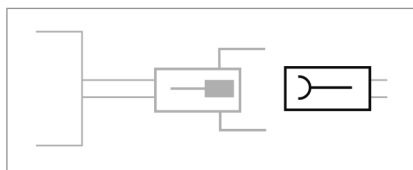
	Ordering code
Hubshaft with tether BR.HA	1 533 119
Hubshaft with tether FE.GU	1 533 116
Hubshaft with tether flexible	1 533 079
Hubshaft with tether rigid	1 533 078

CONNECTORS



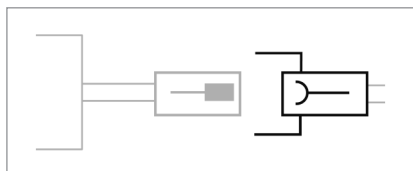
Connector (socket) matching with encoder connector	Ordering code
M23 (Conin), 12 pole, PG9, cw, mating connector for connection C/D/-I	3 539 202

CONNECTORS



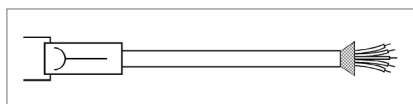
Coupling (socket) matching with encoder cable with connector	Ordering code
M23 (Conin), 12 pole, cw, mating connector for connection -C (cable plug 3 539 186)	3 539 187
M23 (VDW), 12 pole, cw, mating connector for connection -B (cable plug 3 539 252)	3 539 304

CONNECTORS



Connector (socket) matching with encoder cable with connector	Ordering code
M23 (Conin), 12 pole, ccw, mating connector for connection G/H/-D/-H	3 539 229
M23 (VDW), 12 pole, ccw, mating connector for connection -E (cable plug 3 539 274)	3 539 305

CONNECTING CABLES



Connecting cables with plug (socket) on one end	Ordering code
M23 (Conin), 12 pole, TPE cable, cw, mating connector for connection C/D/-I, 3 m	1 522 348
M23 (Conin), 12 pole, TPE cable, cw, mating connector for connection C/D/-I, 5 m	1 522 349
M23 (Conin), 12 pole, TPE cable, cw, mating connector for connection C/D/-I, 10 m	1 522 350
M23 (Conin), 12 pole, TPE cable, cw, mating connector for connection C/D/-I, 15 m	1 522 454
M23 (Conin), 12 pole, TPE cable, cw, mating connector for connection C/D/-I, 20 m	1 522 456
M23 (Conin), 12 pole, TPE cable, cw, mating connector for connection C/D/-I, 25 m	1 522 457
M23 (Conin), 12 pole, TPE cable, cw, mating connector for connection C/D/-I, 30 m	1 522 464

TECHNICAL DATASHEET

Incremental Encoder RI 76TD

Accessories

CONNECTING CABLES (continued)

Connecting cables with plug (socket) on one end	Ordering code
M23 (Conin), 12 pole, TPE cable, cw, mating connector for connection C/D/-I, 40 m	1 522 643
M23 (Conin), 12 pole, TPE cable, cw, mating connector for connection C/D/-I, 50 m	1 522 793
M23 (Conin), 12 pole, TPE cable, ccw, mating connector for connection G/H/-D/-H, 3 m	1 522 394
M23 (Conin), 12 pole, TPE cable, ccw, mating connector for connection G/H/-D/-H, 5 m	1 522 395
M23 (Conin), 12 pole, TPE cable, ccw, mating connector for connection G/H/-D/-H, 10 m	1 522 396
M23 (Conin), 12 pole, TPE cable, ccw, mating connector for connection G/H/-D/-H, 15 m	1 522 447
M23 (Conin), 12 pole, TPE cable, ccw, mating connector for connection G/H/-D/-H, 20 m	1 522 461
M23 (Conin), 12 pole, TPE cable, ccw, mating connector for connection G/H/-D/-H, 25 m	1 522 462
M23 (Conin), 12 pole, TPE cable, ccw, mating connector for connection G/H/-D/-H, 30 m	1 522 463
M23 (Conin), 12 pole, TPE cable, ccw, mating connector for connection G/H/-D/-H, 40 m	1 522 463

CONNECTING CABLES

Cable not made up with connectors	Ordering code
TPE cable, 12-core + screen	3 280 112 + length