

Series R

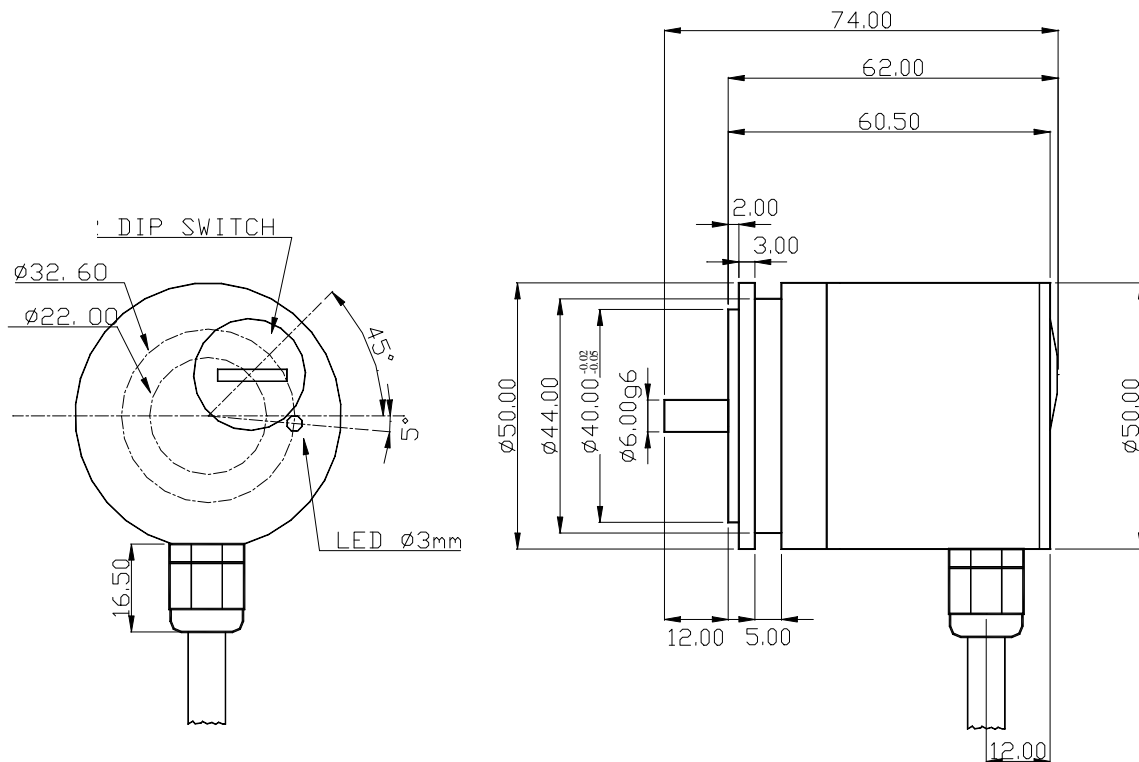
Absolute shaft encoder single turn (ø50mm) with selection resolution right to application on turret tool holder.

Mechanics Data

| | |
|----------------|---|
| Cover : | Aluminium |
| Body : | Aluminium |
| Solid shaft: | Stainless steel |
| Bearings: | 2, ball races |
| Weight: | 250gr. |
| Protection: | IP65 |
| Rpm: | 6000 Max |
| Torque: | 5Ncm |
| Inertia: | 100gcm ² |
| Shaft loading: | Axial 100N - Radial 100N (the value decrease when the number of pulses increase) |



Dimensions in mm



Series R

Electronics Data

Power supply: from 5 to 24V depends on the electronics circuit
 Current consumption: 40/80mA depends on the electronics circuit
 Permissible load: 40mA
 Frequency: 50KHz (standard in LSB)
 Protections: Against short circuit, reversal polarity
 Operating Temp.: -20/+60°C

Ordering code

Series **R** - * 3 * * * * / **Pulses** (Max 256)

Shaft **Code/Outputs** **Connections** **Connector** **Options**

3 = Ø 6mm 2 = Gray/Binary PP 11/24V 1 = Cable R = Radial 0 = None
 3 = Gray/Binary TTL 5V

Connections

| Code: Gray/Binary | 0 Volt | + Volt | 0 2 | 1 2 | 2 2 | 3 2 | 4 2 | 5 2 | 6 2 | 7 2 |
|-------------------|-----------------------|------------------|-----------------------|-----------------------|-----------------------|----------------------------|------------------|----------------------------|----------------------------|--------------------------------------|
| Cable | B L A C K | B L U E | B R O W N | B E I G E | G R E E N | Y E L L O W | P I N K | V I O L E T | O R A N G E | T R A N S P A R |

The U/D and G/B option can be selected through the Dip-Switch accessible through the advanced stopper.

