

# Series MS

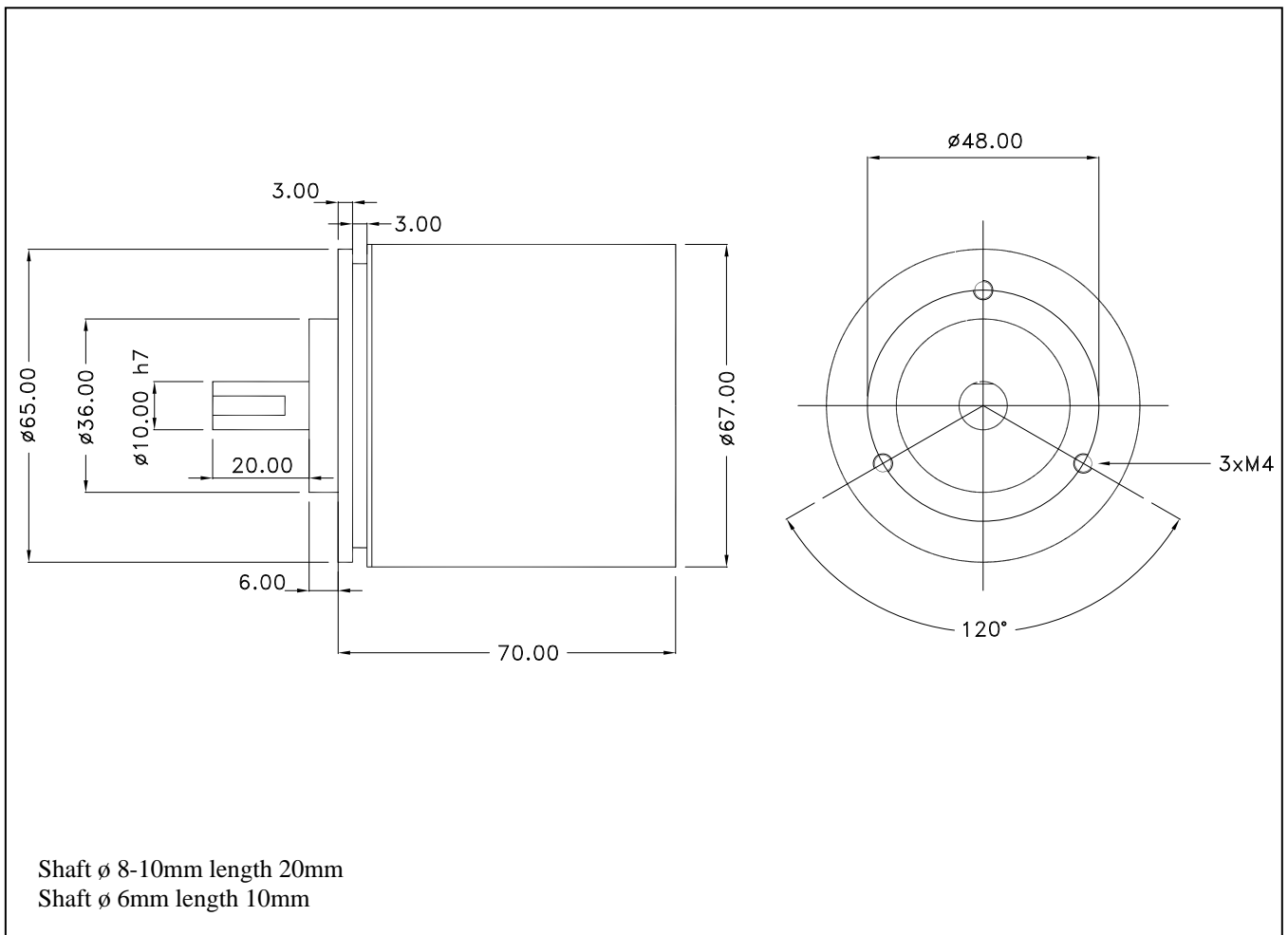
Absolute single turn shaft encoder  
high resolution (ø65mm)

## Mechanics Data

Cover:	Lacquered aluminium
Body:	Aluminium
Solid shaft:	Stainless steel
Bearings:	2, ballraces
Weight:	Approx.300gr.
Protection:	IP65
Rpm:	6000 Max
Torque:	5Ncm
Inertia:	100gcm <sup>2</sup>
Shaft loading:	Axial 100N - Radial 100N



Dimensions in mm.

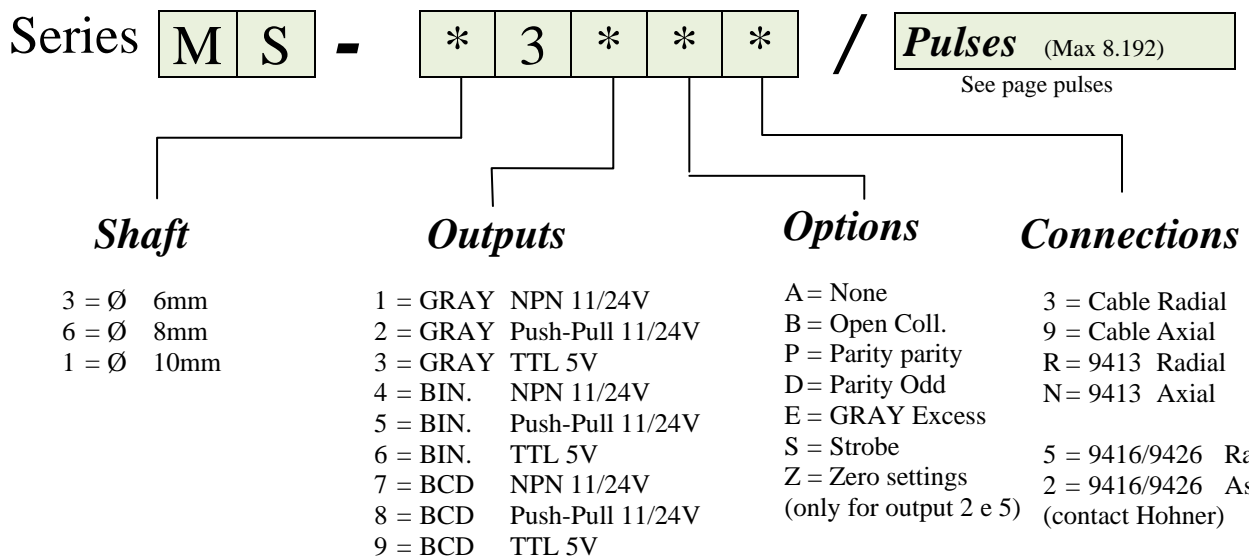


# Series MS

## Electronics Data

Power supply: from 5 to 24V depends on the electronics circuit  
 Current consumption: 40/80mA depends on the electronics circuit  
 Permissible load: 40mA  
 Frequency: 50KHz (standard in LSB)  
 Protections: Against short circuit, reversal polarity  
 Operating Temp.: -20/+60°C

### Ordering code



### Connections

	0 Volt	+ Volt	0 2	1 2	2 2	3 2	4 2	5 2	6 2	7 2	8 2	9 2	10 2	11 2	M	DIR <->	
<b>Connector 9416 12p</b>	P1	P2	P3	P4	P5	P6	P7	P8	P9	P10	P11					P12	
<b>Conn 9416 16p - 9413</b>	P1	P2	P3	P4	P5	P6	P7	P8	P9	P10	P11	P12	P13	P14	P15	P16	
<b>Cable</b>	B L A C K	B L U E	B R O W N	B E I G E	G R E E N	Y E L L O W	P I N K	V I O L E T	O R A N G E	T R A N S P A R	W H I T E	R E D	W H I T E	G R E E N	V I O L E T	Y E L L O W	G R E E N

Legend connections:  
 M = optional outputs:  
 DIR <-> = is the signal direction: clockwise or anticlockwise  
 Clockwise standard  
 Anticlockwise connect DIR <-> to **0Volt**.