

Series BSP/BSC

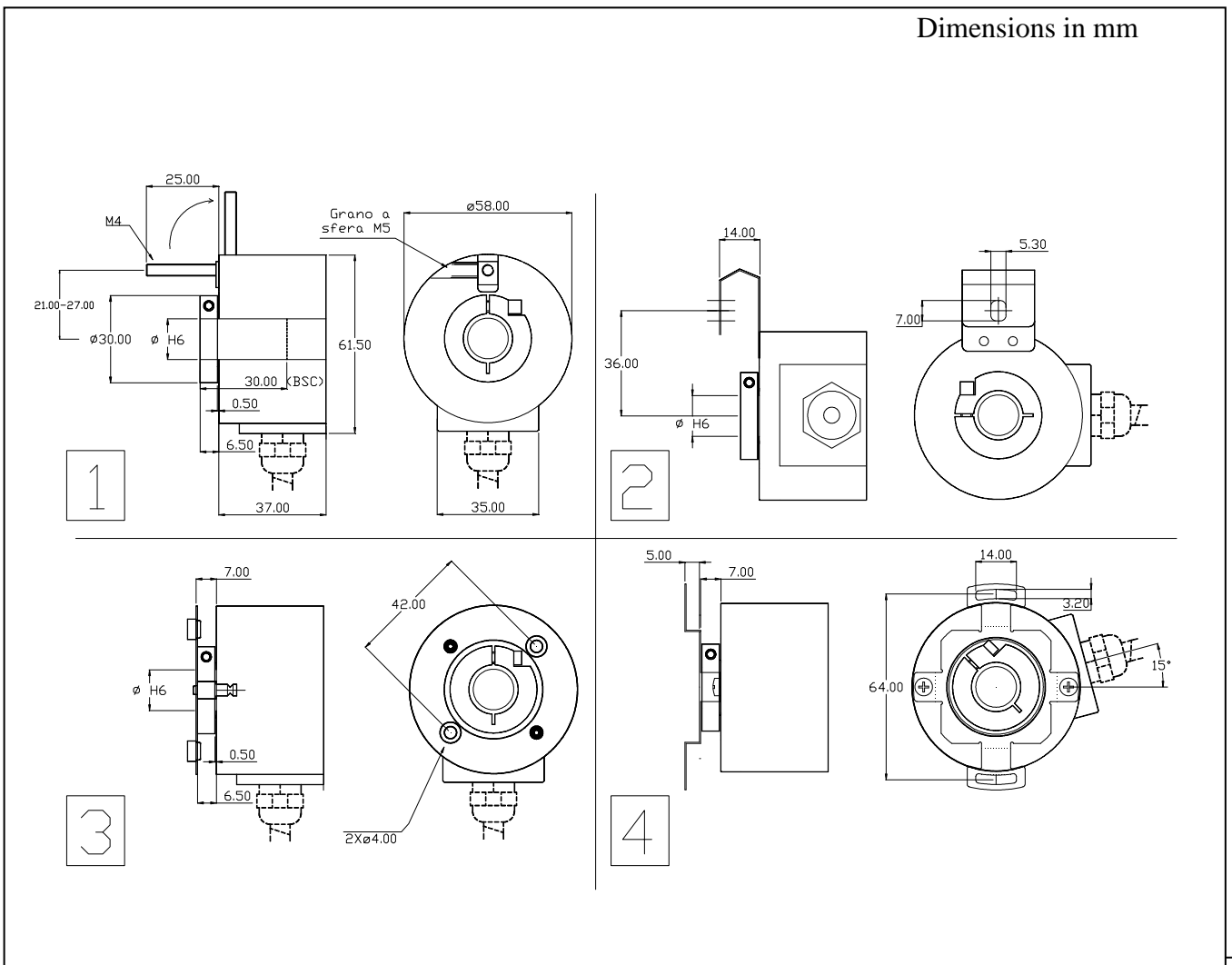
Incremental hollow and semi-hollow shaft encoder

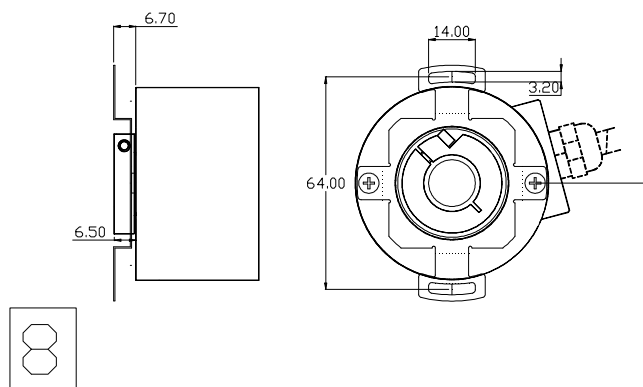
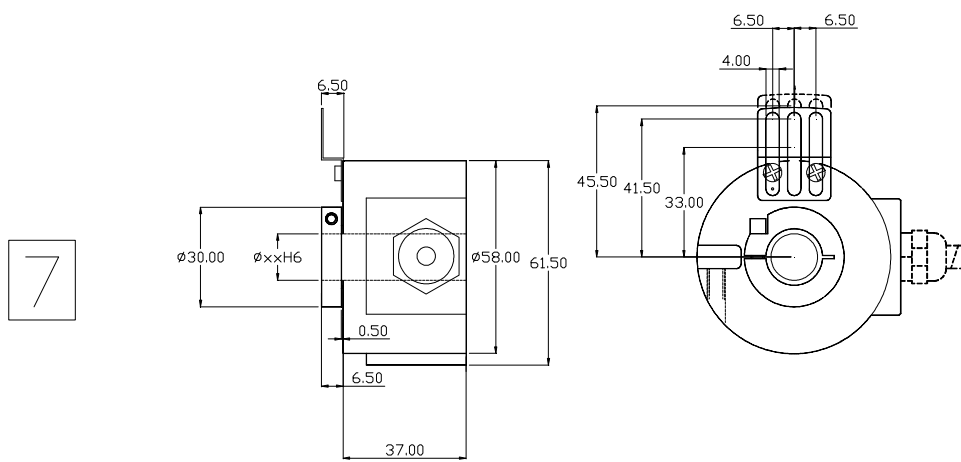
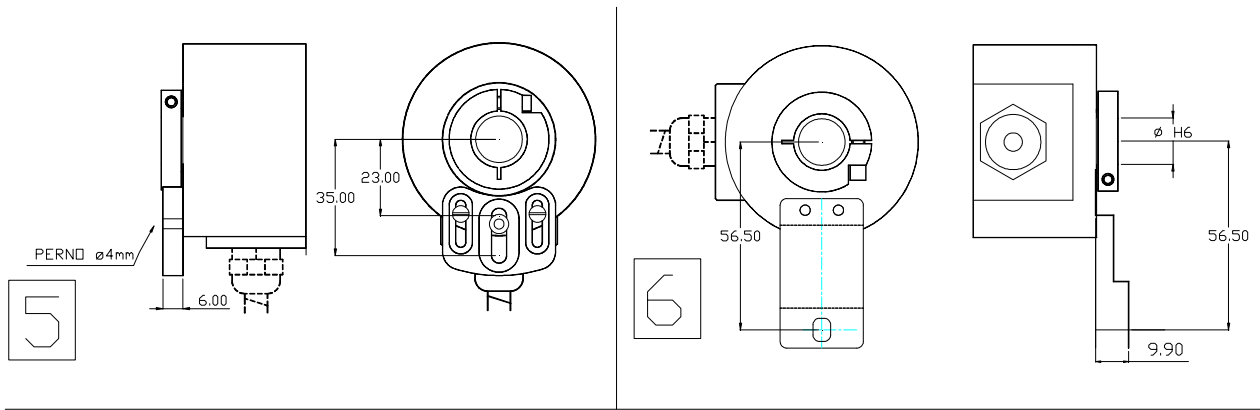
Mechanics Data

Cover:	Aluminium
Body:	Aluminium
Solid shaft:	Stainless steel
Bearings:	2, ballraces
Weight:	Approx.300gr.
Protection:	IP64
Rpm:	6000 Max
Torque:	5Ncm
Inertia:	100gcm ²
Shaft loading:	Axial 50N - Radial 50N (the value decrease when the number of pulses increase)




Dimensions in mm

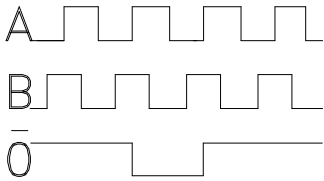




Electronics Data

Serie BSP/BSC

Output signals (cw) 



Power supply: from 5 to 24V depends on the electronics circuit
 Current consumption: 40/80mA depends on the electronics circuit
 Permissible load: 40mA
 Frequency: 300KHz
 Protections: Against short circuit, reversal polarity
 Operating Temp.: -20/+60°C

Ordering code

Series **B S * ** * * * *** . ****** / **Pulse**

Model

P = Hollow shaft
C = Semi hollow Shaft

Shaft

Clamping-ring version

8M=Ø 08mm
0M=Ø 10mm
2M=Ø 12mm
1M=Ø 15mm

Grub.screw version (2xM3)
2G=Ø 12mm
4G=Ø 14mm

Mechanical Mounting

1 = See previous page
2 =
3 =
4 =
5 =
6 =
7 =
8 =

Outputs

2 = AB PP11/28V
3 = AB $\bar{0}$ PP11/28V
N = AB+AB PP11/28V
P = AB0+AB $\bar{0}$ PP11/28V
B = AB OC11/28V
C = AB $\bar{0}$ OC11/28V
G = AB NPN 11/28V
H = AB $\bar{0}$ NPN 11/28V
5 = AB+AB LD5V
6 = AB0+AB $\bar{0}$ LD5V
8 = AB+AB LD5/12V
9 = AB0+AB $\bar{0}$ LD5/12V
W = AB0+AB $\bar{0}$ 1Vpp
Y = AB0+AB $\bar{0}$ 1Vpp (pulses)
CD+CD 1Vpp (1 pulse)

Connections

2 = 9414 Rad 5p
3 = Cable Rad
5 = 9416 Rad 12p
B = 9415 Rad 9p
K = 94M12 Rad 5p
T = 94M12 Rad 8p

Special Option: On request

Option

0 = None
1 = High zero pulse
Z = Synchronised zero Pulse to 180° only for Line Driver
W = Synchronised zero Pulse to 90° only for Line Driver
A = Special connections
Y = Power supply 5/12V for output NPN/OC/PP
U = **Output** 2,3,N,P with TTL compatible output
· Low level output <0.5V
· High level output > +VCC-1,9V
S = Power supply 5V for output W and Y
T = Power supply 8/24V for output W and Y

Connections

	0 Volt	+ Volt	A	B	\bar{A}	\bar{B}	0	$\bar{0}$
Cable 5 Poles	White	Brown	Green	Yellow				Gray
Cable 8 Poles	Black	Blue	Brown	Beige	Green	Yellow	Pink	Violet
Connector 9414	Pin1	Pin2	Pin3	Pin4				Pin5
Connector 9416-9415	Pin1	Pin2	Pin3	Pin4	Pin5	Pin6	Pin7	Pin8
Connector 94M12 5P	Pin3	Pin1	Pin2	Pin4			Pin5	
Connector 94M12 8P	Pin7	Pin2	Pin1	Pin4	Pin3	Pin5	Pin6	Pin8