

Series 25

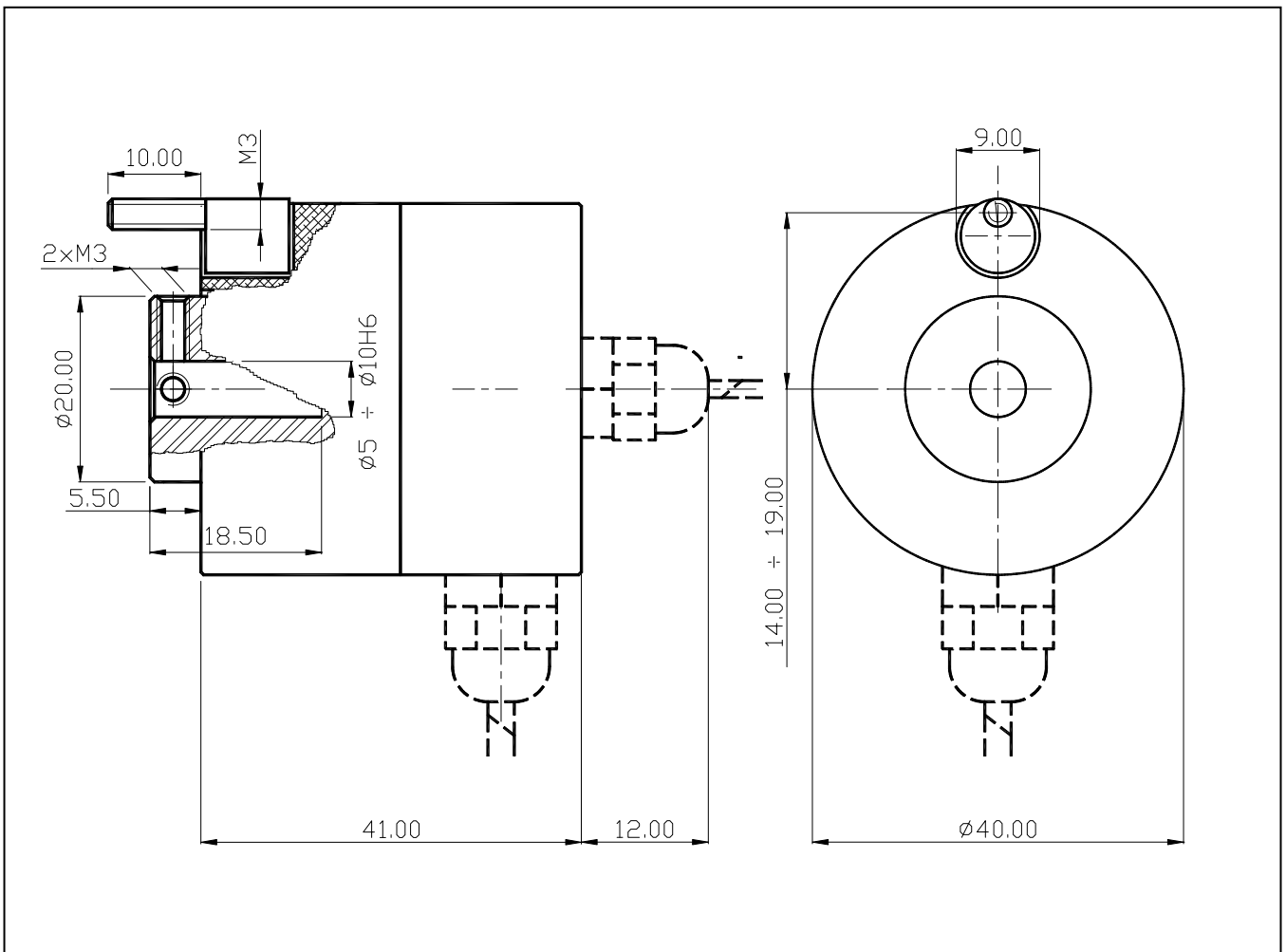
Very compact incremental semi-hollow shaft encoder



Mechanics Data

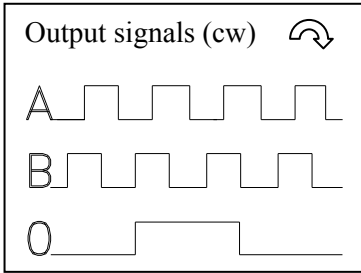
Cover:	ABS
Body:	Aluminium
Semi-hollow shaft:	Stainless still
Bearings:	2, ballraces
Weight:	Approx.1 30gr.
Protection:	IP55
Rpm:	6000 Max
Torque:	3Ncm
Inertia:	10gcm ²
Shaft loading:	Axial 30N - Radial 30N (max. value)

Dimensions in mm.



Series 25

Electronics Data



Power supply: from 5 to 24V depends on the electronics circuit
 Current consumption 40/80mA depends on the electronics circuit
 Permissible load: 20mA
 Frequency: 100KHz
 Protections: Against short circuit, reversal polarity
 Operating Temp.: -10/+60°C

Ordering code

Series

2	5
---	---

 -

2	*	*	*	*
---	---	---	---	---

 /

<i>Pulses</i> (Max 3600)

Shaft

- 9 = Ø 5mm
- 5 = Ø 6mm
- 8 = Ø 7mm
- 2 = Ø 8mm
- On request
- 0 = Ø 10mm

Output

- | | | |
|---------------|---------|--|
| 7 0 = AB | NPN | 5..24V |
| 0 0 = AB0 | NPN | 5..24V |
| 7 A = AB | Open C. | 5..24V |
| 0 A = AB0 | Open C. | 5..24V |
| 2 B = AB+AB | PP | 8..24V |
| 1 B = AB0+AB0 | PP | 8..24V |
| 6 0 = AB+AB | LD | 5V |
| 8 0 = AB0+AB0 | LD | 5V |
| 8 Z = AB0+AB0 | LD | 5V (0 hooked to 180°) |
| 8 W = AB0+AB0 | LD | 5V (0 hooked to 90°) |
| K W | AB0+AB0 | LD IN 8/24 OUT 5V – 20mA ch.
(0 hooked to + 90°) |

Connections

- 0 = Cable 5P Axial
- 2 = Cable 8P Axial
- 1 = 9415 9P Axial
- 7 = 9415 9P Radial
- 3 = 9414 5P Axial
- R = Cable 5P Radial
- 8 = Cable 8P Radial

Connections

	0 Volt	+ Volt	A	B	\overline{A}	\overline{B}	0	$\overline{0}$
Cable 5 Way	White	Brown	Green	Yellow			Gray	
Cable 8 Way	Black	Blue	Brown	Beige	Green	Yellow	Pink	Violet
Connector 9415	Pin1	Pin2 Pin3		Pin4	Pin5	Pin6	Pin7 Pin8	
Connector 9414	Pin1	Pin2 Pin3		Pin4			Pin5	